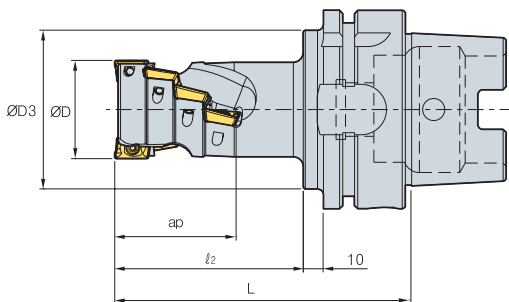


Кукурузные сборные фрезы с хвостовиком HSK E

HSK100A AM4000

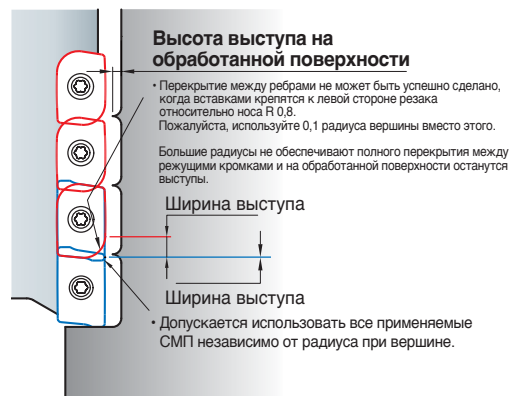


| Обозначение | | $\varnothing D$ | $\varnothing D_3$ | l_2 | L | Количество зубьев | a_p |
|----------------------------|----|-----------------|-------------------|-------|-----|-------------------|-------|
| HSK100A AM4040046-2 | 6 | 40 | 80 | 75 | 114 | 2 | 46 |
| AM4050061-2 | 8 | 50 | 80 | 95 | 134 | 2 | 61 |
| AM4063061-4 | 16 | 63 | 80 | 90 | 129 | 4 | 61 |
| AM4080076-4 | 20 | 80 | 80 | 105 | 144 | 4 | 76 |
| AM4100076-6 | 30 | 100 | 80 | 105 | 144 | 6 | 76 |

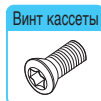
Применяемые СМП

| Обозначение | Тв. сплав с покрытием | | | | | | | | Кермет | | | Тв. сплав | | | | Стр. | | |
|-----------------|-----------------------|--------|--------|--------|--------|--------|--------|--------|--------|--------|--------|-----------|------|-----|-----|------|-------|------|
| | NCM325 | NCM335 | NC5330 | PC3500 | PC5300 | PC5400 | PC3545 | PC9530 | PC6510 | PD2000 | CN2000 | CN20 | CN80 | H01 | G10 | | ST30A | ST20 |
| APMT 1806PDR-MA | | | | | | | | | | | | | | | | | | |
| 1806PDR-ML | | | | | | | | | | | | | | | | | | |
| 1806PDR-MM | • | | • | • | • | • | • | • | • | | | | | | | | | |
| 1806PDR-MF | | | • | • | • | • | • | | | | | | | | | | | |
| 180612PDR-MM | • | | • | • | • | • | • | | | | | | | | | | | |
| 180616PDR-MM | | | • | • | • | • | | | | | | | | | | | | |
| 180620PDR-MM | | | • | • | • | • | | | | | | | | | | | | |
| 180624PDR-MM | | | • | • | • | • | | | | | | | | | | | | |
| 180630R-MM | | | • | • | • | • | | | | | | | | | | | | |
| 180632R-MM | | | • | • | • | • | | | | | | | | | | | | |

Рекомендации по выбору СМП



Комплектующие



FTKA0410



TW15S