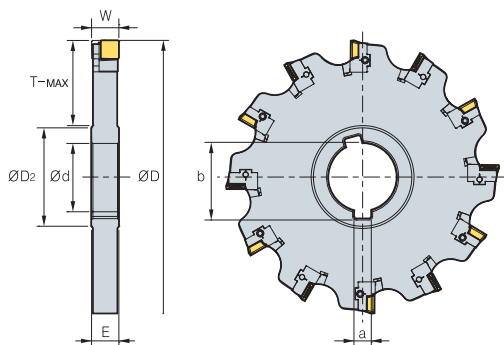
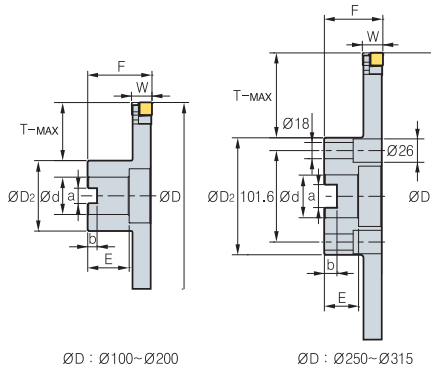


## Радиальный тип расположения СМП (Трехсторонние фрезы)



• RAFCP(M)



• RAFCB(M)

| Обозначение                 | Ød         | E  | ØD <sub>2</sub> | a         | b    | T-MAX | Обозначение                    | Ød          | F  | ØD <sub>2</sub> | a           | b  | E  | T-MAX | Основные параметры (мм) |       |              |
|-----------------------------|------------|----|-----------------|-----------|------|-------|--------------------------------|-------------|----|-----------------|-------------|----|----|-------|-------------------------|-------|--------------|
|                             |            |    |                 |           |      |       |                                |             |    |                 |             |    |    |       | ØD                      | W     | Число зубьев |
| <b>RAFCP 1001214</b><br>(M) | 31.75 (32) | 12 | 48              | 7.92 (8)  | 35.2 | 24    | <b>RAFCB 1001214R/L</b><br>(M) | 31.75 (32)  | 50 | 54              | 12.7 (14.4) | 8  | 28 | 21    | 100                     | 12-14 | 6            |
| <b>1251214</b>              | 38.1 (40)  | 12 | 56              | 9.52 (10) | 42.3 | 32    | <b>1251214R/L</b>              | 38.1 (40)   | 60 | 70              | 15.9 (16.4) | 10 | 30 | 25    | 125                     | 12-14 | 8            |
| <b>1601214</b>              | 38.1 (40)  | 12 | 56              | 9.52 (10) | 42.3 | 50    | <b>1601214R/L</b>              | 38.1 (40)   | 60 | 70              | 15.9 (16.4) | 10 | 30 | 43    | 160                     | 12-14 | 10           |
| <b>2001214</b>              | 50.8 (50)  | 12 | 72              | 12.7 (12) | 55.8 | 61    | <b>2001214R/L</b>              | 50.8 (40)   | 65 | 90              | 19.0 (16.4) | 11 | 30 | 53    | 200                     | 12-14 | 12           |
| <b>2501214</b>              | 50.8 (50)  | 12 | 72              | 12.7 (12) | 55.8 | 86    | <b>2501214R/L</b>              | 47.625 (60) | 65 | 130             | 25.4 (25.7) | 14 | 38 | 58    | 250                     | 12-14 | 16           |
| <b>3151214</b>              | 50.8 (50)  | 12 | 72              | 12.7 (12) | 55.8 | 118   | <b>3151214R/L</b>              | 47.625 (60) | 65 | 130             | 25.4 (25.7) | 14 | 38 | 90    | 315                     | 12-14 | 20           |
| <b>RAFCP 1001416</b><br>(M) | 31.75 (32) | 14 | 48              | 7.92 (8)  | 35.2 | 24    | <b>RAFCB 1001416R/L</b><br>(M) | 31.75 (32)  | 50 | 50              | 12.7 (14.4) | 8  | 28 | 21    | 100                     | 14-16 | 6            |
| <b>1251416</b>              | 38.1 (40)  | 14 | 56              | 9.52 (10) | 42.3 | 32    | <b>1251416R/L</b>              | 38.1 (40)   | 60 | 70              | 15.9 (16.4) | 10 | 30 | 25    | 125                     | 14-16 | 8            |
| <b>1601416</b>              | 38.1 (40)  | 14 | 56              | 9.52 (10) | 42.3 | 50    | <b>1601416R/L</b>              | 38.1 (40)   | 60 | 70              | 15.9 (16.4) | 10 | 30 | 43    | 160                     | 14-16 | 10           |
| <b>2001416</b>              | 50.8 (50)  | 14 | 72              | 12.7 (12) | 55.8 | 61    | <b>2001416R/L</b>              | 50.8 (40)   | 65 | 90              | 19.0 (16.4) | 11 | 30 | 53    | 200                     | 14-16 | 12           |
| <b>2501416</b>              | 50.8 (50)  | 14 | 72              | 12.7 (12) | 55.8 | 86    | <b>2501416R/L</b>              | 47.625 (60) | 65 | 130             | 25.4 (25.7) | 14 | 38 | 58    | 250                     | 14-16 | 16           |
| <b>3151416</b>              | 50.8 (50)  | 14 | 72              | 12.7 (12) | 55.8 | 118   | <b>3151416R/L</b>              | 47.625 (60) | 65 | 130             | 25.4 (25.7) | 14 | 38 | 90    | 315                     | 14-16 | 20           |
| <b>RAFCP 1251618</b><br>(M) | 38.1 (40)  | 16 | 56              | 9.52 (10) | 42.3 | 32    | <b>RAFCB 1251618R/L</b><br>(M) | 38.1 (40)   | 60 | 70              | 15.9 (16.4) | 10 | 30 | 25    | 125                     | 16-18 | 8            |
| <b>1601618</b>              | 38.1 (40)  | 16 | 56              | 9.52 (10) | 42.3 | 50    | <b>1601618R/L</b>              | 38.1 (40)   | 60 | 70              | 15.9 (16.4) | 10 | 30 | 43    | 160                     | 16-18 | 10           |
| <b>2001618</b>              | 50.8 (50)  | 16 | 72              | 12.7 (12) | 55.8 | 61    | <b>2001618R/L</b>              | 50.8 (40)   | 65 | 90              | 19.0 (16.4) | 11 | 30 | 53    | 200                     | 16-18 | 12           |
| <b>2501618</b>              | 50.8 (50)  | 16 | 72              | 12.7 (12) | 55.8 | 86    | <b>2501618R/L</b>              | 47.625 (60) | 65 | 130             | 25.4 (25.7) | 14 | 38 | 58    | 250                     | 16-18 | 16           |
| <b>3151618</b>              | 50.8 (50)  | 16 | 72              | 12.7 (12) | 55.8 | 118   | <b>3151618R/L</b>              | 47.625 (60) | 65 | 130             | 25.4 (25.7) | 14 | 38 | 90    | 315                     | 16-18 | 20           |
| <b>RAFCP 1251820</b><br>(M) | 38.1 (40)  | 18 | 56              | 9.52 (10) | 42.3 | 32    | <b>RAFCB 1251820R/L</b><br>(M) | 38.1 (40)   | 60 | 70              | 15.9 (16.4) | 10 | 30 | 25    | 125                     | 18-20 | 8            |
| <b>1601820</b>              | 38.1 (40)  | 18 | 56              | 9.52 (10) | 42.3 | 50    | <b>1601820R/L</b>              | 38.1 (40)   | 60 | 70              | 15.9 (16.4) | 10 | 30 | 43    | 160                     | 18-20 | 10           |
| <b>2001820</b>              | 50.8 (50)  | 18 | 72              | 12.7 (12) | 55.8 | 61    | <b>2001820R/L</b>              | 50.8 (40)   | 65 | 90              | 19.0 (16.4) | 11 | 30 | 53    | 200                     | 18-20 | 12           |
| <b>2501820</b>              | 50.8 (50)  | 18 | 72              | 12.7 (12) | 55.8 | 86    | <b>2501820R/L</b>              | 47.625 (60) | 65 | 130             | 25.4 (25.7) | 14 | 38 | 58    | 250                     | 18-20 | 16           |
| <b>3151820</b>              | 50.8 (50)  | 18 | 72              | 12.7 (12) | 55.8 | 118   | <b>3151820R/L</b>              | 47.625 (60) | 65 | 130             | 25.4 (25.7) | 14 | 38 | 90    | 315                     | 18-20 | 20           |
| <b>RAFCP 1252022</b><br>(M) | 38.1 (40)  | 20 | 56              | 9.52 (10) | 42.3 | 32    | <b>RAFCB 1252022R/L</b><br>(M) | 38.1 (40)   | 60 | 70              | 15.9 (16.4) | 10 | 30 | 25    | 125                     | 20-22 | 8            |
| <b>1602022</b>              | 38.1 (40)  | 20 | 56              | 9.52 (10) | 42.3 | 50    | <b>1602022R/L</b>              | 38.1 (40)   | 60 | 70              | 15.9 (16.4) | 10 | 30 | 43    | 160                     | 20-22 | 10           |
| <b>2002022</b>              | 50.8 (50)  | 20 | 72              | 12.7 (12) | 55.8 | 61    | <b>2002022R/L</b>              | 50.8 (40)   | 65 | 90              | 19.0 (16.4) | 11 | 30 | 53    | 200                     | 20-22 | 12           |
| <b>2502022</b>              | 50.8 (50)  | 20 | 72              | 12.7 (12) | 55.8 | 86    | <b>2502022R/L</b>              | 47.625 (60) | 65 | 130             | 25.4 (25.7) | 14 | 38 | 58    | 250                     | 20-22 | 16           |
| <b>3152022</b>              | 50.8 (50)  | 20 | 72              | 12.7 (12) | 55.8 | 118   | <b>3152022R/L</b>              | 47.625 (60) | 65 | 130             | 25.4 (25.7) | 14 | 38 | 90    | 315                     | 20-22 | 20           |
| <b>RAFCP 1252224</b><br>(M) | 38.1 (40)  | 22 | 56              | 9.52 (10) | 42.3 | 32    | <b>RAFCB 1252224R/L</b><br>(M) | 38.1 (40)   | 60 | 70              | 15.9 (16.4) | 10 | 30 | 25    | 125                     | 22-24 | 8            |
| <b>1602224</b>              | 38.1 (40)  | 22 | 56              | 9.52 (10) | 42.3 | 50    | <b>1602224R/L</b>              | 38.1 (40)   | 60 | 70              | 15.9 (16.4) | 10 | 30 | 43    | 160                     | 22-24 | 10           |
| <b>2002224</b>              | 50.8 (50)  | 22 | 72              | 12.7 (12) | 55.8 | 61    | <b>2002224R/L</b>              | 50.8 (40)   | 65 | 90              | 19.0 (16.4) | 11 | 30 | 53    | 200                     | 22-24 | 12           |
| <b>2502224</b>              | 50.8 (50)  | 22 | 72              | 12.7 (12) | 55.8 | 86    | <b>2502224R/L</b>              | 47.625 (60) | 65 | 130             | 25.4 (25.7) | 14 | 38 | 58    | 250                     | 22-24 | 16           |
| <b>3152224</b>              | 50.8 (50)  | 22 | 72              | 12.7 (12) | 55.8 | 118   | <b>3152224R/L</b>              | 47.625 (60) | 65 | 130             | 25.4 (25.7) | 14 | 38 | 90    | 315                     | 22-24 | 20           |

Применяемые СМП и Рекомендуемые режимы резания E256

• Максимальная ширина фрезы указана для пластин имеющих угол C0,5 или R 0,5

• ( ) Метрическая система

### Комплектующие

| Ширина фрез (RAFCP/B) | СМП           | Кассета  | Клин   | Винт пластины | Шпилька клина | Винт кассеты | Ключ пластины | Ключ клина, кассеты |
|-----------------------|---------------|----------|--------|---------------|---------------|--------------|---------------|---------------------|
|                       |               |          |        |               |               |              |               |                     |
|                       | WSD09N        | WSA10N   |        |               |               |              |               |                     |
| □□□1214R/L            | SDXT09M40□R/L | LSD09R/L | WSD09N | FTGA03508     | DHA0617       | SHGA0409     | TW15S         | HW30                |
| □□□1416R/L            | SDXT09M40□R/L | LSD09R/L | WSD09N | FTGA03508     | DHA0617       | SHGA0409     | TW15S         | HW30                |
| □□□1618R/L            | SDXT13050□R/L | LSD13R/L | WSA10N | FTNC04509     | DHA0617       | SHGA0411     | TW20S         | HW30                |
| □□□1820R/L            | SDXT13050□R/L | LSD13R/L | WSA10N | FTNC04509     | DHA0617       | SHGA0411     | TW20S         | HW30                |
| □□□2022R/L            | SDXT13050□R/L | LSD13R/L | WSA10N | FTNC04509     | DHA0617       | SHGA0411     | TW20S         | HW30                |
| □□□2224R/L            | SDXT13050□R/L | LSD13R/L | WSA10N | FTNC04509     | DHA0617       | SHGA0411     | TW20S         | HW30                |

