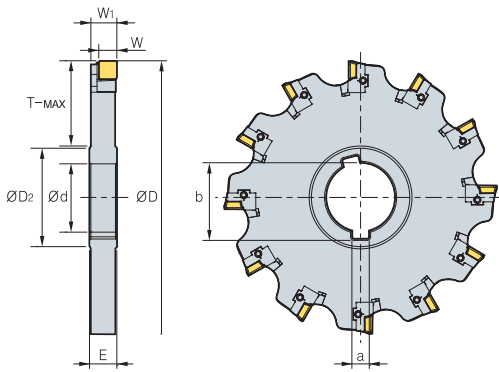
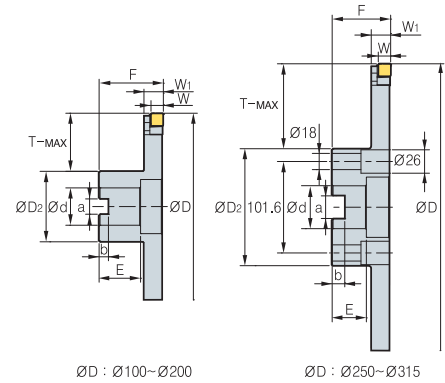


Е Дисковые прорезные регулируемые фрезы

Радиальный тип расположения СМП (Двухсторонние фрезы)



• RAHCP(M)



• RAHCB(M)

Обозначение	Ød	E	ØD2	a	b	T-MAX	Обозначение	Ød	F	ØD2	a	b	E	T-MAX	Основные параметры (мм)			
															ØD	W	W	Число зубьев
RAHCP 10012R/L	31.75 (32)	12	48	7.92 (8)	35.2	24	RAHCB 10012R/L	31.75 (32)	50	54	12.7 (14.4)	8	28	21	100	8	11.1	6
(M) 12512R/L	38.1 (40)	12	56	9.52 (10)	42.3	32	(M) 12512R/L	38.1 (40)	60	70	15.9 (16.4)	10	30	25	125	8	11.1	8
16012R/L	38.1 (40)	12	56	9.52 (10)	42.3	50	16012R/L	38.1 (40)	60	70	15.9 (16.4)	10	30	43	160	8	11.1	10
20012R/L	50.8 (50)	12	72	12.7 (12)	55.8	61	20012R/L	50.8 (40)	65	90	19.0 (16.4)	11	30	53	200	8	11.1	12
25012R/L	50.8 (50)	12	72	12.7 (12)	55.8	86	25012R/L	47.625 (60)	65	130	25.4 (25.7)	14	38	58	250	8	11.1	16
31512R/L	50.8 (50)	12	72	12.7 (12)	55.8	118	31512R/L	47.625 (60)	65	130	25.4 (25.7)	14	38	90	315	8	11.1	20
RAHCP 10014R/L	31.75 (32)	14	48	7.92 (8)	35.2	24	RAHCB 10014R/L	31.75 (32)	50	50	12.7 (14.4)	8	28	21	100	8	13.1	6
(M) 12514R/L	38.1 (40)	14	56	9.52 (10)	42.3	32	(M) 12514R/L	38.1 (40)	60	70	15.9 (16.4)	10	30	25	125	8	13.1	8
16014R/L	38.1 (40)	14	56	9.52 (10)	42.3	50	16014R/L	38.1 (40)	60	70	15.9 (16.4)	10	30	43	160	8	13.1	10
20014R/L	50.8 (50)	14	72	12.7 (12)	55.8	61	20014R/L	50.8 (40)	65	90	19.0 (16.4)	11	30	53	200	8	13.1	12
25014R/L	50.8 (50)	14	72	12.7 (12)	55.8	86	25014R/L	47.625 (60)	65	130	25.4 (25.7)	14	38	58	250	8	13.1	16
31514R/L	50.8 (50)	14	72	12.7 (12)	55.8	118	31514R/L	47.625 (60)	65	130	25.4 (25.7)	14	38	90	315	8	13.1	20
RAHCP 12516R/L	38.1 (40)	16	56	9.52 (10)	42.3	32	RAHCB 12516R/L	38.1 (40)	60	70	15.9 (16.4)	10	30	25	125	10.5	15	8
(M) 16016R/L	38.1 (40)	16	56	9.52 (10)	42.3	50	(M) 16016R/L	38.1 (40)	60	70	15.9 (16.4)	10	30	43	160	10.5	15	10
20016R/L	50.8 (50)	16	72	12.7 (12)	55.8	61	20016R/L	50.8 (40)	65	90	19.0 (16.4)	11	30	53	200	10.5	15	12
25016R/L	50.8 (50)	16	72	12.7 (12)	55.8	86	25016R/L	47.625 (60)	65	130	25.4 (25.7)	14	38	58	250	10.5	15	16
31516R/L	50.8 (50)	16	72	12.7 (12)	55.8	118	31516R/L	47.625 (60)	65	130	25.4 (25.7)	14	38	90	315	10.5	15	20
RAHCP 12518R/L	38.1 (40)	18	56	9.52 (10)	42.3	32	RAHCB 12518R/L	38.1 (40)	60	70	15.9 (16.4)	10	30	25	125	10.5	17	8
(M) 16018R/L	38.1 (40)	18	56	9.52 (10)	42.3	50	(M) 16018R/L	38.1 (40)	60	70	15.9 (16.4)	10	30	43	160	10.5	17	10
20018R/L	50.8 (50)	18	72	12.7 (12)	55.8	61	20018R/L	50.8 (40)	65	90	19.0 (16.4)	11	30	53	200	10.5	17	12
25018R/L	50.8 (50)	18	72	12.7 (12)	55.8	86	25018R/L	47.625 (60)	65	130	25.4 (25.7)	14	38	58	250	10.5	17	16
31518R/L	50.8 (50)	18	72	12.7 (12)	55.8	118	31518R/L	47.625 (60)	65	130	25.4 (25.7)	14	38	90	315	10.5	17	20
RAHCP 12520R/L	38.1 (40)	20	56	9.52 (10)	42.3	32	RAHCB 12520R/L	38.1 (40)	60	70	15.9 (16.4)	10	30	25	125	10.5	19	8
(M) 16020R/L	38.1 (40)	20	56	9.52 (10)	42.3	50	(M) 16020R/L	38.1 (40)	60	70	15.9 (16.4)	10	30	43	160	10.5	19	10
20020R/L	50.8 (50)	20	72	12.7 (12)	55.8	61	20020R/L	50.8 (40)	65	90	19.0 (16.4)	11	30	53	200	10.5	19	12
25020R/L	50.8 (50)	20	72	12.7 (12)	55.8	86	25020R/L	47.625 (60)	65	130	25.4 (25.7)	14	38	58	250	10.5	19	16
31520R/L	50.8 (50)	20	72	12.7 (12)	55.8	118	31520R/L	47.625 (60)	65	130	25.4 (25.7)	14	38	90	315	10.5	19	20
RAHCP 12522R/L	38.1 (40)	22	56	9.52 (10)	42.3	32	RAHCB 12522R/L	38.1 (40)	60	70	15.9 (16.4)	10	30	25	125	10.5	21	8
(M) 16022R/L	38.1 (40)	22	56	9.52 (10)	42.3	50	(M) 16022R/L	38.1 (40)	60	70	15.9 (16.4)	10	30	43	160	10.5	21	10
20022R/L	50.8 (50)	22	72	12.7 (12)	55.8	61	20022R/L	50.8 (40)	65	90	19.0 (16.4)	11	30	53	200	10.5	21	12
25022R/L	50.8 (50)	22	72	12.7 (12)	55.8	86	25022R/L	47.625 (60)	65	130	25.4 (25.7)	14	38	58	250	10.5	21	16
31522R/L	50.8 (50)	22	72	12.7 (12)	55.8	118	31522R/L	47.625 (60)	65	130	25.4 (25.7)	14	38	90	315	10.5	21	20

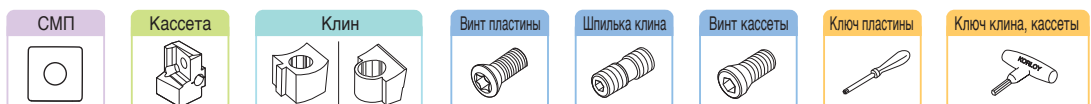
Применяемые СМП and Рекомендуемые режимы резания E256

• Максимальная ширина фрезы указана для пластин имеющих угол C0,5 или R 0,5.
• Изготавливаются под заказ.

Комплектующие

() Метрическая система

Ширина фрез (RAHCP/B)



□□□ 1214R/L	SDXT09M40□ R/L	LSD09R/L	WSD09N	WSD09N	FTGA03508	DHA0617	SHGA0409	TW15S	HW30
□□□ 1416R/L	SDXT09M40□ R/L	LSD09R/L	WSD09N	WSD09N	FTGA03508	DHA0617	SHGA0409	TW15S	HW30
□□□ 1618R/L	SDXT13050□ R/L	LSD13R/L	WSA10N	WSA10N	FTNC04509	DHA0617	SHGA0411	TW20S	HW30
□□□ 1820R/L	SDXT13050□ R/L	LSD13R/L	WSA10N	WSA10N	FTNC04509	DHA0617	SHGA0411	TW20S	HW30
□□□ 2022R/L	SDXT13050□ R/L	LSD13R/L	WSA10N	WSA10N	FTNC04509	DHA0617	SHGA0411	TW20S	HW30
□□□ 2224R/L	SDXT13050□ R/L	LSD13R/L	WSA10N	WSA10N	FTNC04509	DHA0617	SHGA0411	TW20S	HW30